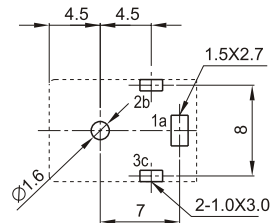
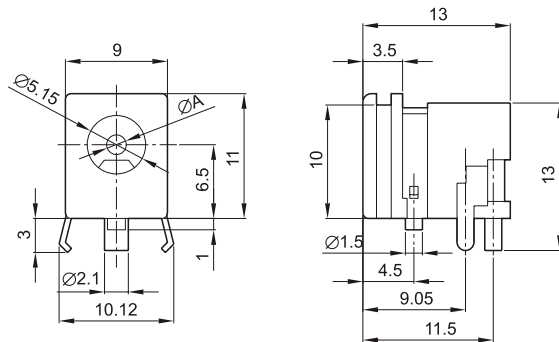
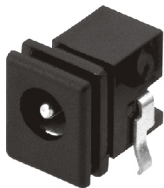


## DJ-0723



BOTTOM VIEW

MODEL NO.	DJ-0723*016
CENTER PIN DIAMETER ØA	1.65 DIA
RATED VOLTAGE(V)	12
RATED CURRENT(A)	0.5
SCHEMATIC	