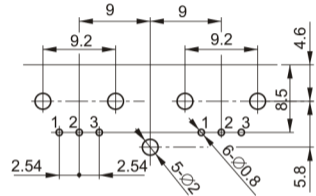
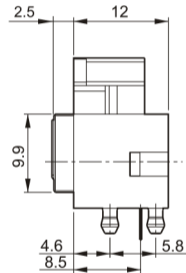
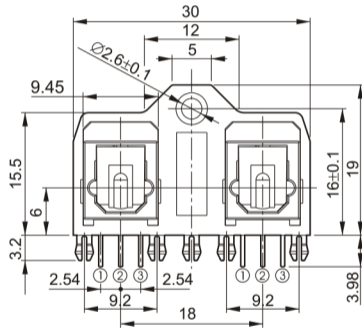


OC-0809

(With Screw Hole Type)

BOTTOM VIEW

Receiver	
Vcc	①
GND	②
Vout	③

Transmitter	
Vin	①
Vcc	②
GND	③