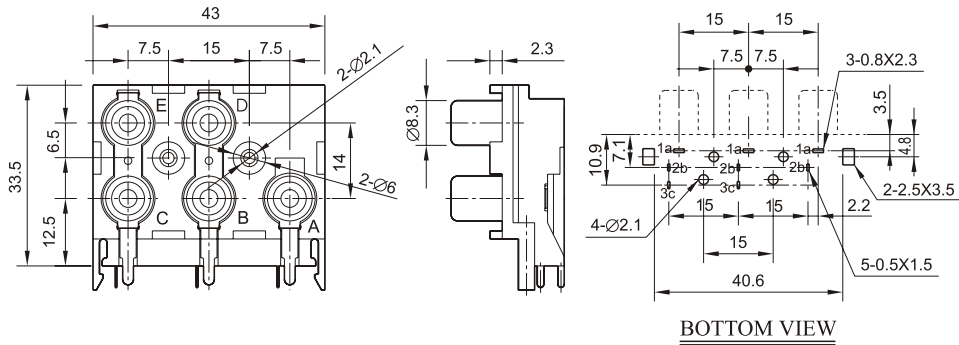
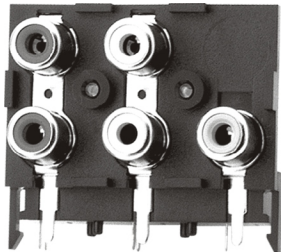


RJ-1131



MODEL NO.	RJ-1131*00-0300A	
SCHEMATIC		