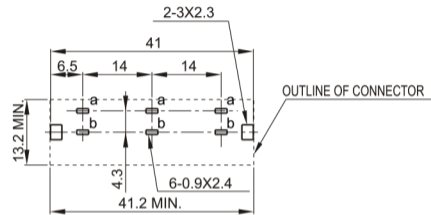
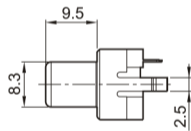
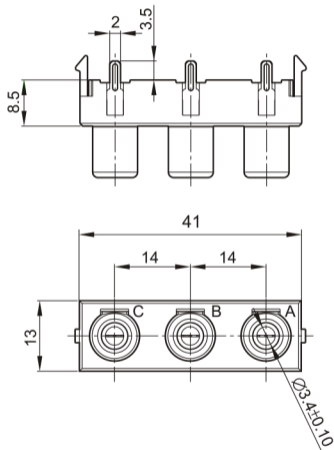


RJ-1334



RECOMMANED PCB LAYOUT(BOTTOM VIEW)
(TOLERANCE/ALL ± 0.1 , THICKNESS OF PCB $t=1.6$ mm)

MODEL NO.	RJ-1334*XX-0300A
SCHEMATIC	