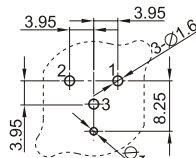
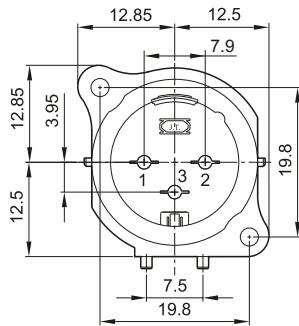
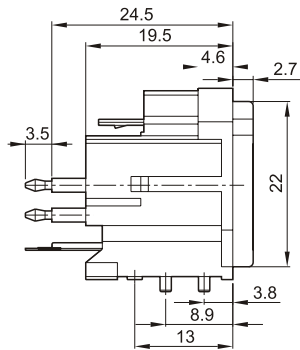
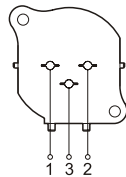


# JY-5032



BOTTOM VIEW



SCHEMATIC