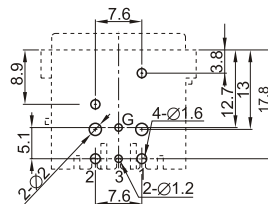
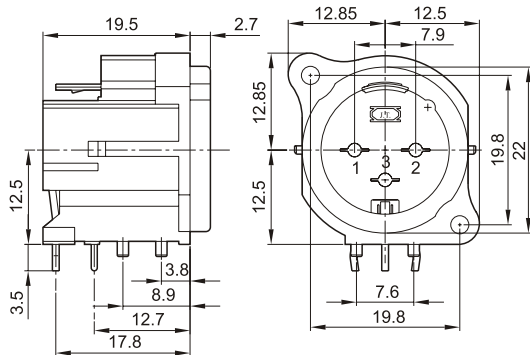
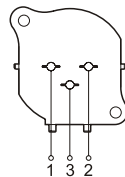


**JY-5032A****BOTTOM VIEW****SCHEMATIC**