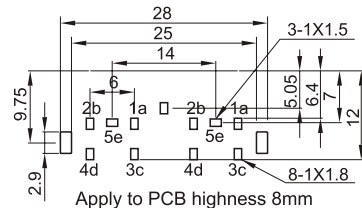
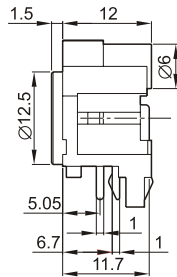
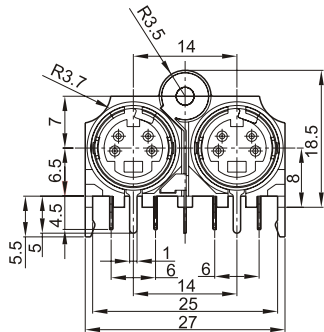
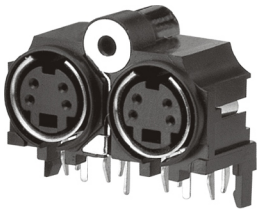


JY-5036



Apply to PCB highness 8mm

BOTTOM VIEW

