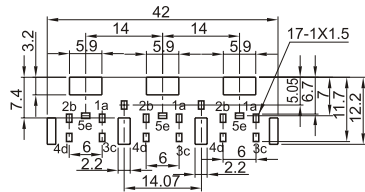
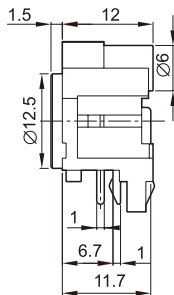
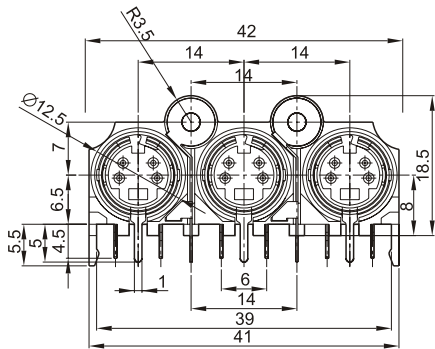
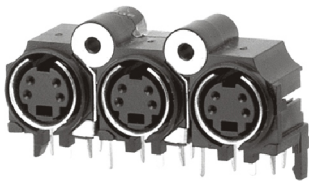
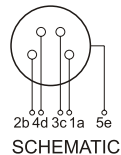
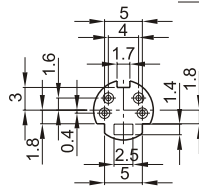


JY-5041



Apply to PCB highness 6.5mm

BOTTOM VIEW



SCHEMATIC