

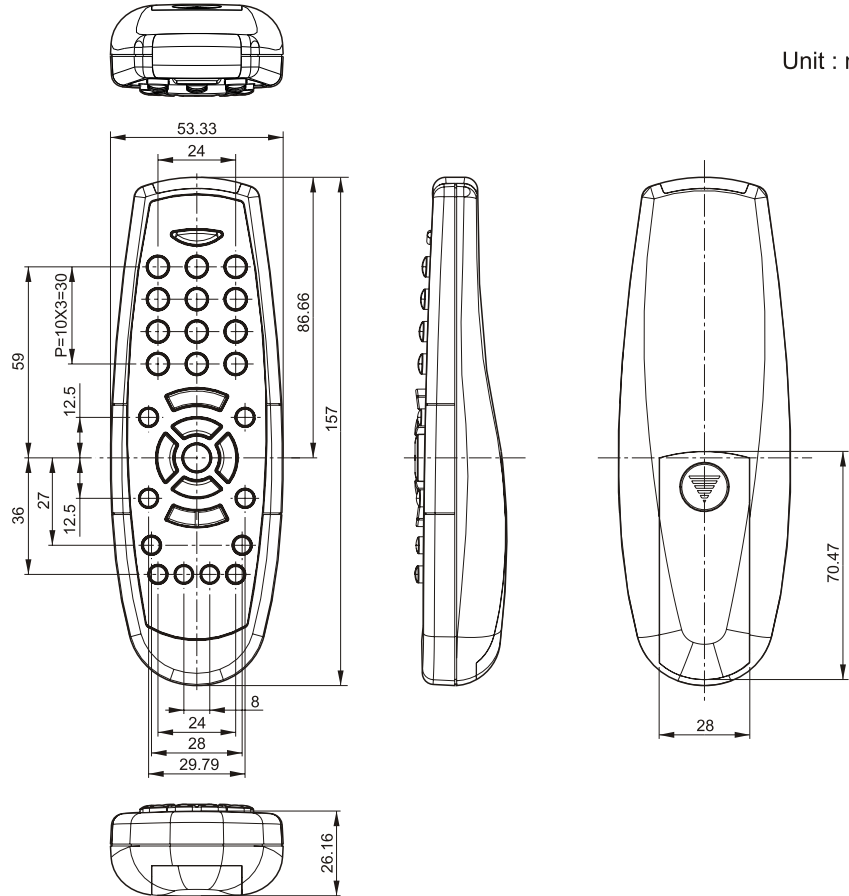


RC-7090

Number of Keys : 31 or Less

Battery : "UM4"AAA" 1.5V X 2PCS

*FOR CUSTOM MADE



Unit : mm